

# AXOR® POST

SLOTTED POST FOR AXOR® PROMO, AXOR® CLASSIC, AXOR® SURETE AND AXIS® S RIGID PANEL FENCING



→ 7 standard colours:

Blue 5002, Green 6005, Grey 7016, Grey 7035, Brown 8019, Black 9005, White 9010.

→ 10 regular colours:

Beige 1015, Yellow 1023, Red 3002, Red 3004, Blue 5010, Blue 5015, Green 6009, Grey 7030, Brown 8014, Grey 9006.

→ Other RAL colours

→ 10 sanded coatings from the Elegance® Collection. Coating ensures higher corrosion and impact resistance.



Post on AXOR® base plate



Post on welded plate



Post with concrete gravel board

## Quick and easy to install

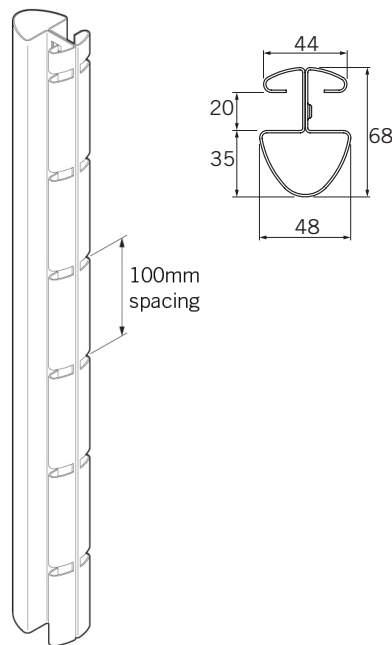
- EASYFIX installation system.
- No fixing devices required.
- One single post type for the start and end of the fence and for intermediate sections and corner junctions.
- Installation in forward sequence, no accessories required.



## Versatile

- Suitable for all sites (curved, angled or sloping premises).
- Several installation configurations: **long embedding, short embedding, on welded plate, on AXOR® base plate, on sleeve plate, wall fixing.**

The AXOR® post can be used for fencing off homes and low-risk sites, fence heights up to 2m.



Private homes



Housing complexes



Businesses



Administrations & local authorities

## Security

- Tamper-proof once installed.

## Durable

- Sendzimir strips.
- Polyester High Adherence plastic coating.
- 10 year anti-corrosion guarantee.
- Optional PROTECT+ finish for the most corrosive areas.



Scan the QR code to watch the helpful installation video.

DIRICKX reserves the right to change its photos at any time to make the necessary improvements. Actual products may vary from photos and colours - Passerelle.com - November 2013.